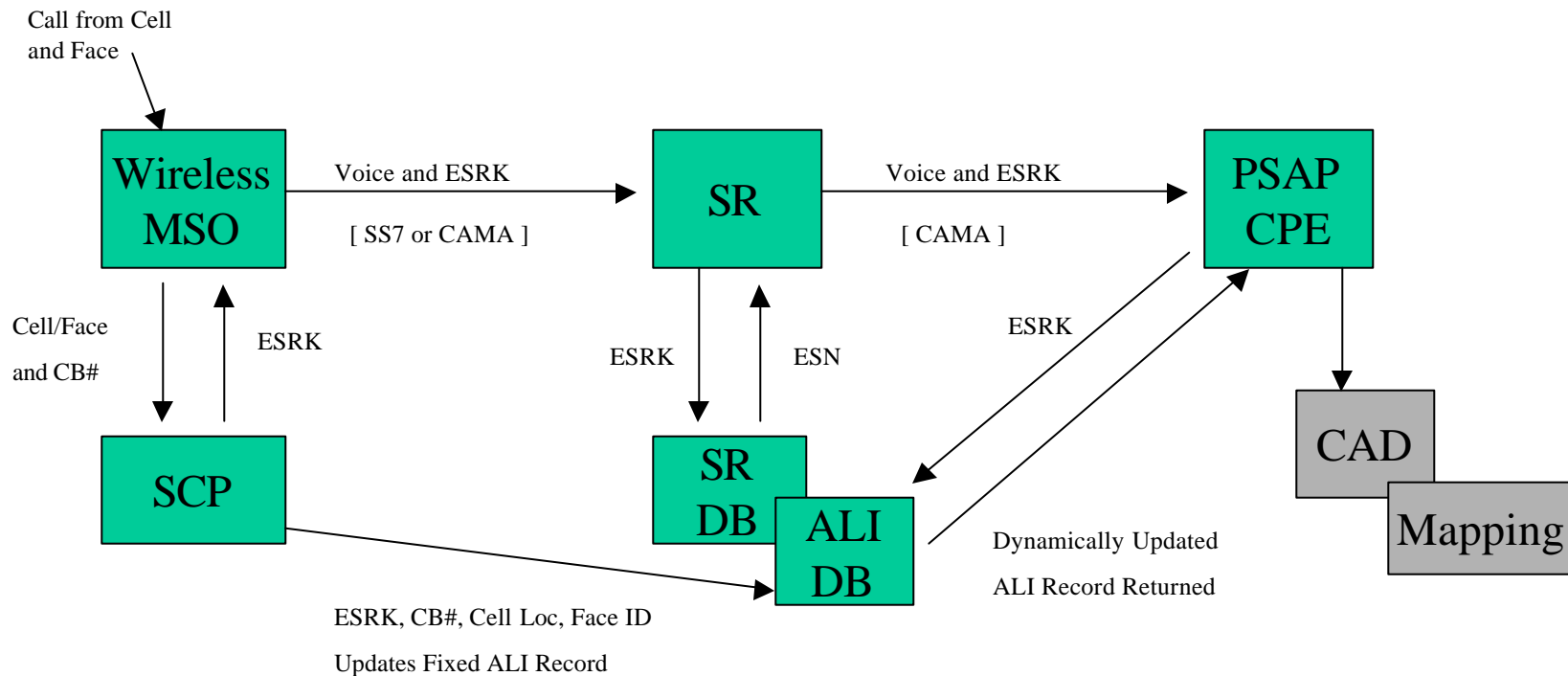


Wireless Phase 1 Solutions

- There are three basic technical solutions:
 - NCAS (Non-Callpath Associated Signaling)
 - CAS (Callpath Associated Signaling)
 - Hybrid CAS (CAS to SR, NCAS to PSAP)
- NCAS uses more individual components (no change at PSAP)
- CAS requires higher levels of signaling in the 9-1-1 network
- Hybrid CAS is in between (may be no change at PSAP)

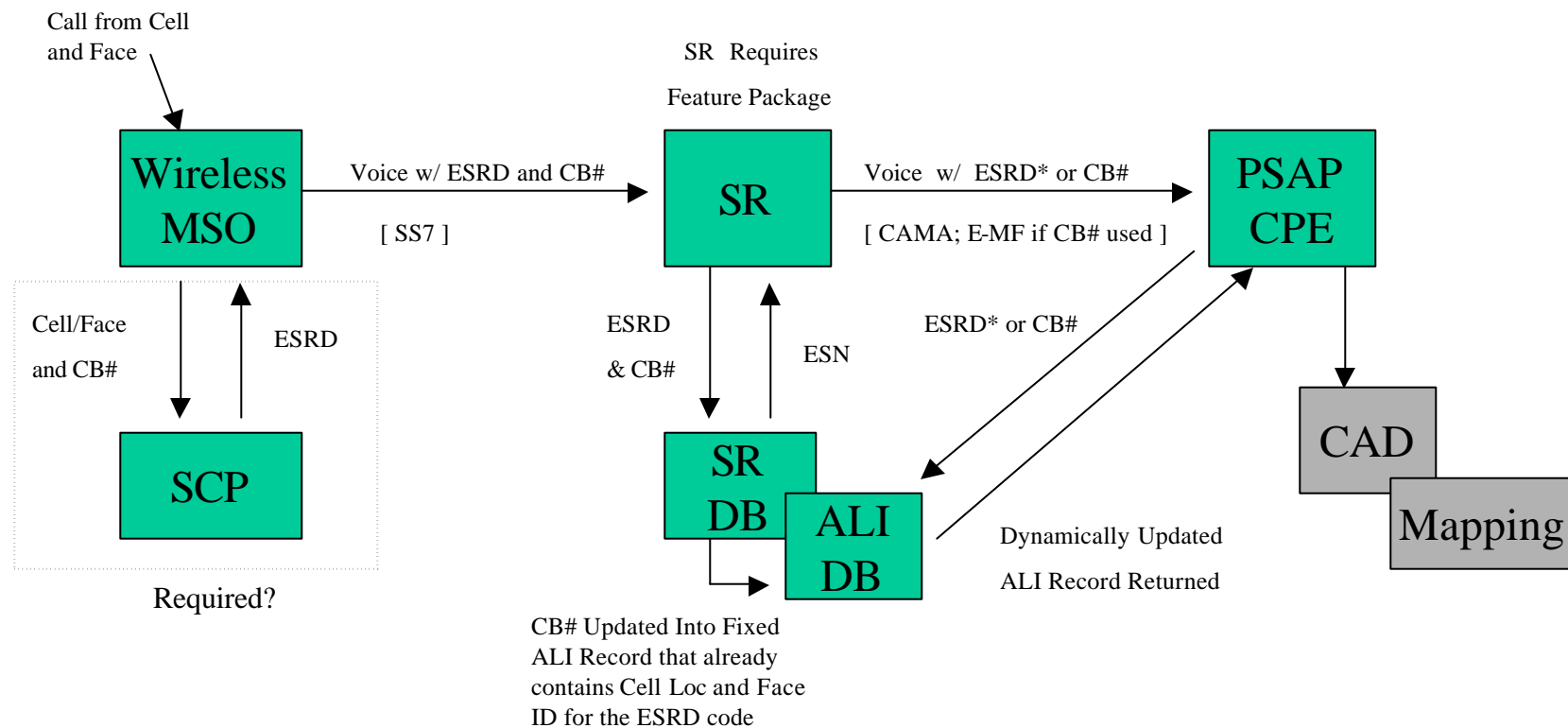
Wireless Phase 1 Solutions

NCAS



Wireless Phase 1 Solutions

Hybrid CAS



* May be CALLID in DMS-100 SRs

Wireless Phase 1 Solutions

CAS

